



HEADHUNTER10

SLI-MHB-HH10

.....

1.

2.

DMX 512

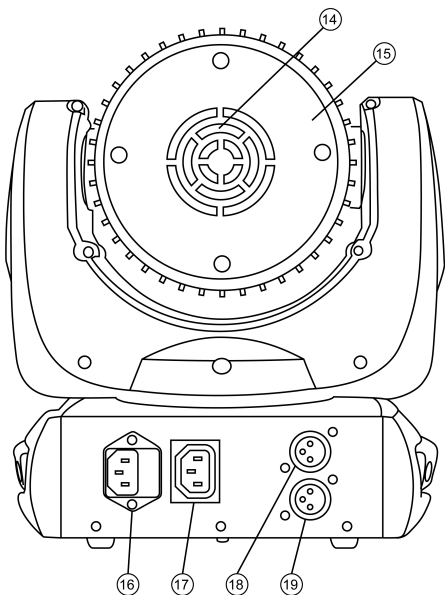
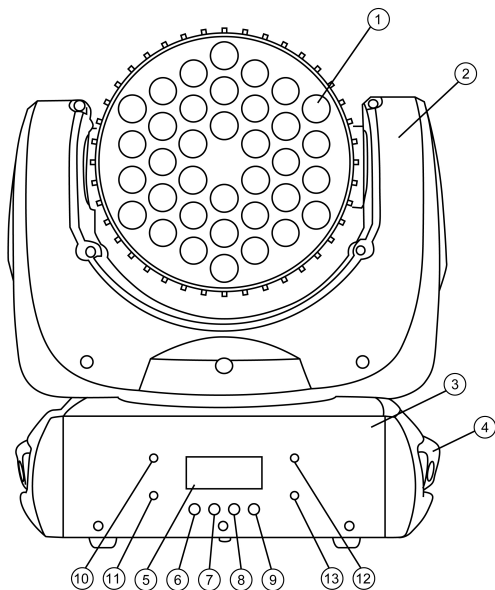
3.

DMX

.....

- : 100~240
- : 150
- : USA CREE 3 36 . (8 .+10 .+10 .+8 .)
- : 750
- : 8°
- 1 : 88750
- : IP20
- DMX : 9/14 DMX .
- : 315x295x22
- : 4,9
- : 6

- DMX XLR
- IEC
- 4 : DMX512, , /
- LCD
- : -20°C~+40°C
- 2 DMX: 9 /14
- : 0-100%
- : 360
- : 220
- ()



1

2

3

4

5 LCD-

6 Mode/esc (/)

7 Up ()

8 Down ()

9 Enter ()

10 Power ()

11 DMX (DMX)

12 Auto (-)

13 Sound ()

14

15

16

17

18 DMX

19 DMX

2.

-
-
-
-
-
-

0,5

DMX DMX 110

DMX

100 240

50-60

220 16 10 20 110 16

		1
		2
/		3

DMX

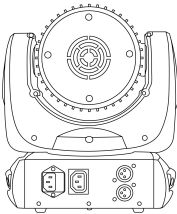
1. DMX 110 (3-) (3-)
, Stagg Commandor 10 (,)

2. DMX

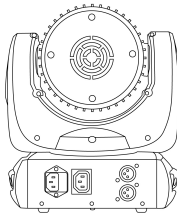
DMX-



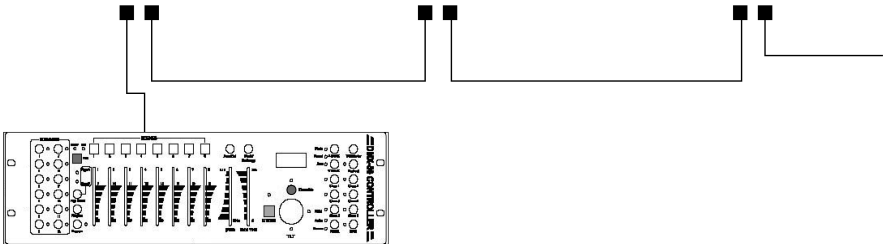
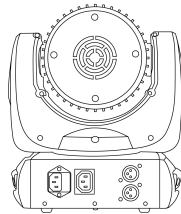
DMX :001



DMX :001

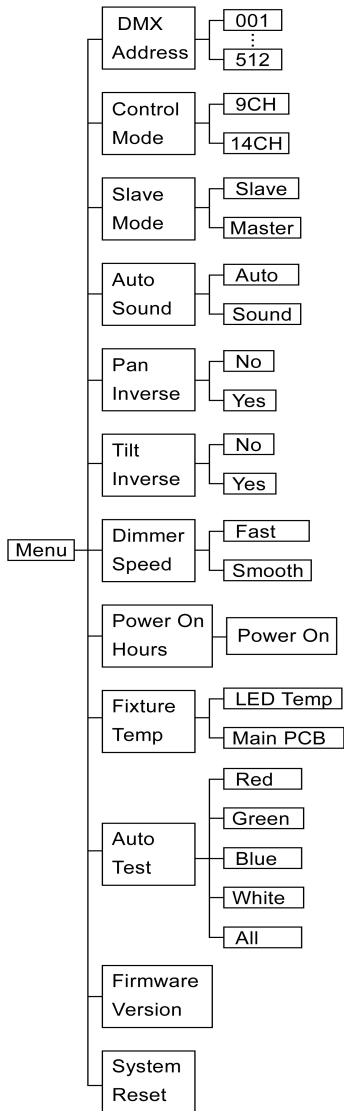


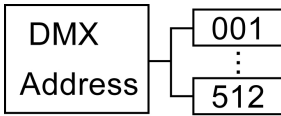
DMX :001



3.

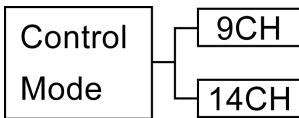
MODE ()	
ENTER ()	
UP ()	
DOWN ()	





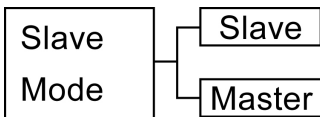
[**DMX**]

- MENU, Up DOWN,
"DMX Address", ENTER
- DMX UP DOWN
- ENTER DMX



[]

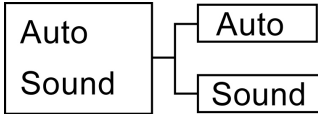
- MENU, Up DOWN,
"Control Mode", ENTER
- UP DOWN 9CH 14CH
- ENTER



[**Master Slave**]

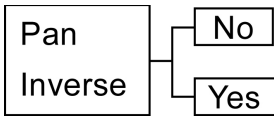
- MENU, Up DOWN,
"Slave Mode", ENTER
- UP DOWN Master () Slave ()
- ENTER

При последовательном соединении приборов ведомые устройства будут работать синхронно с ведущим устройством. Установите на первом приборе режим Master, на остальных режим Slave; если затем их соединить DMX кабелем последовательно, то при запуске автоматической программы или в режиме звуковой активации все приборы будут работать синхронно.



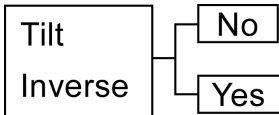
```

[
  • MENU, Up DOWN,
  "Auto Sound", ENTER
  • UP DOWN Auto ( ) Sound ( )
  • ENTER
]
  
```



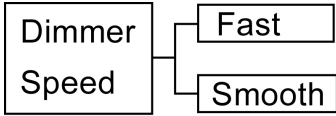
```

[
  • MENU, Up DOWN,
  "Pan Inverse", ENTER
  • UP DOWN, Yes ( ) No ( )
  • ENTER
]
  
```



```

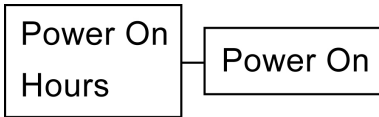
[
  • MENU, Up DOWN,
  "Tilt Inverse", ENTER
  • UP DOWN, Yes ( ) No ( )
  • ENTER
]
  
```



```

[
• MENU, Up DOWN,
  "Dimmer Speed", ENTER
• UP DOWN Fast (
  ) Smooth (
  )
• ENTER

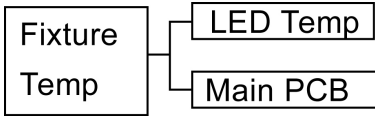
```



```

[
• MENU, Up DOWN,
  "Power On Hours", ENTER
• MENU ;

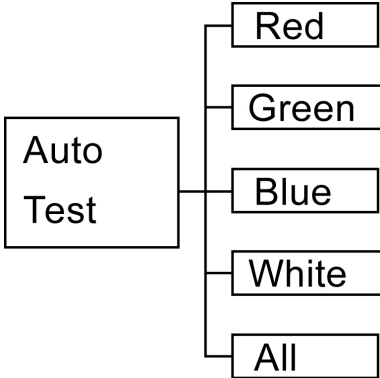
```



```

[
• MENU, Up DOWN,
  "Fixture Temp", ENTER
•
• "MENU"

```



[]

- MENU, Up DOWN,
"Auto Test", ENTER
-
- "MENU"

Firmware
Version

[]

- MENU, Up DOWN,
"Firmware Version", ENTER
-
- "MENU"

System
Reset

[]

- MENU, Up DOWN,
"System Reset", ENTER
-

DMX :

14

1	0-255	PAN 0-360° (0-360°)
2	0-255	PAN 16 bit (16)
3	0-255	Tilt 0-220° (0-220°)
4	0-255	Tilt 16 bit (16)
5	0-255	Pan & Tilt Speed ()
6	0-255	() 0-100%
7	0-255	Red () 0-100%
8	0-255	Green () 0-100%
9	0-255	Blue () 0-100%
10	0-255	White () 0-100%
11	0-35	
	36~55	=3200K
	56-75	=3400K
	76-95	=4200K
	96-115	=4900K
	116-135	=5600K
	136-155	=5900K
	156-175	=6500K
	176-195	=7200K
	196-215	=8000K
	216-235	=8500K
236-255	=10000K	
12	0-14	
	15-255	Color Macros ()
13	0-19	
	20-255	Strobe 0-20HZ ()
14	0-99	Disable Sound Control ()
	100-199	Enable Sound Control ()
	200-255	5 ,

9

1	0-255	PAN 0-360° (0-360°)
2	0-255	Tilt 0-220° (0-220°)
3	0-255	Pan & Tilt Speed ()
4	0-255	() 0-100%
5	0-255	Red () 0-100%
6	0-255	Green () 0-100%
7	0-255	Blue () 0-100%
8	0-255	White () 0-100%
9	0-19	
	20-255	Strobe 0-20HZ ()

.....

.....
.....

•
•

1. CE
EMC (2004/108/CE), CE (93/68/EEC)
(2006/95/EC).
2. « » WEEE (
) (2002/96/EC).
3. «RoHS compliant» (2002/95EC)

